



LED SIGNS



Federal Signal Vama is pleased to present its new LED sign for use mainly on traffic police and road service vehicles. The **CL-300** range of signs enables messages or short, frequently-used instructions to be shown and may be installed on the outside of the vehicle.

The characters on this sign are formed by light-emitting diodes, distributed in 5 x 7-dot matrices on a printed circuit, with the dots switching on and off, depending on the sequence of words that make up the message or warning on each sign.

The number of words and messages are programmed in the factory according to the requirements of each customer, with the length of the sign depending on the length of the message. As an example, we could consider a police sign with two different messages:

Message one: POLICE/FOLLOW ME (the word police alternates with follow me) Message two: STOP/POLICE (the word stop alternates with police).

INDOOR OR OUTDOOR USE

The CL-300 sign has a printed circuit housed in an extruded aluminium case with gaskets and protection that make it suitable for installation on the outside of the vehicle. It can also be used for signalling from the inside.

QUICK REFERENCE

FEATURES

- LED signs for messages or short instructions.
- Up to two- or three-word messages (please enquire for feasibility).



- Sign length depends on length of message.
- Metal housing for use indoors and outdoors.
- Weatherproof: Black anodised aluminium and gasket seals.
- Printed circuit purposely designed for a specific set of messages.

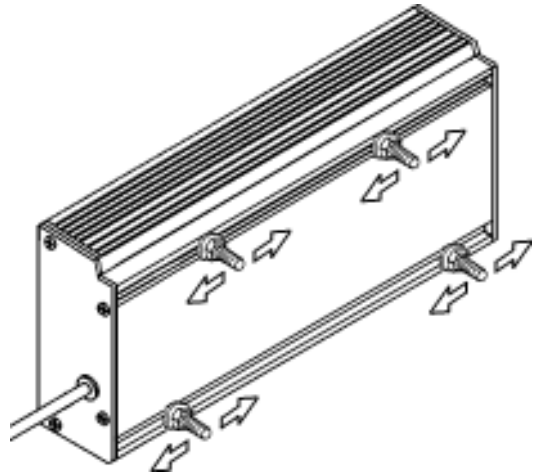
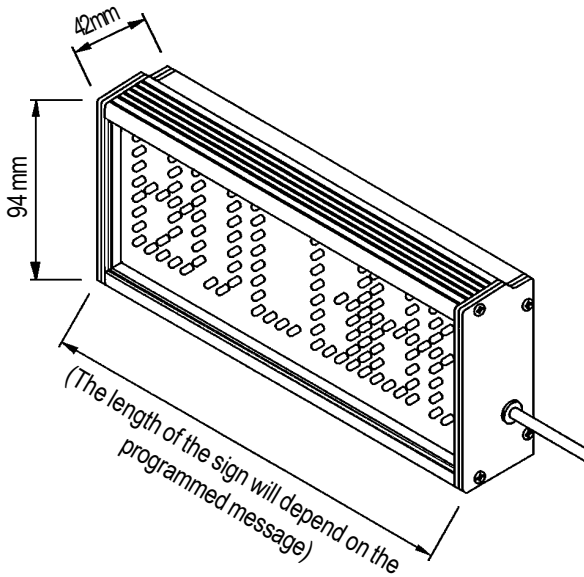
APPLICATION

- Suitable for installation on the exterior & interior of emergency & service vehicles.



CL-300 installed on a police vehicle

CL-300 LED WARNING SIGNS FOR VEHICLES



SPECIFICATIONS

Power supply	12 Vcc
Led's diameter	5 mm
Dimensions (mm)	94 x 42 mm
Weight	1120 grm



An ISO 9001 Certified Company
FEDERAL SIGNAL VAMA, S.A.

Dr. Ferrán, 7
08339 VILASSAR DE DALT
BARCELONA (Spain)
Phone 34 93 741 79 32
Fax 34 93 750 78 23
email: marketing@vama.es
Web : www.fedsig.vama.es

