

## Technical Specs

	LD350	LD360	CO400 Solaris
Electrical potencial:	12V	12V	12V
Current draw (average) in flashing mode:	blue: 0,7 A amber and red: 0,6A	blue: 0,6 A	blue and red: 1 A amber: 0,6 A
N° of LEDs:	5 LEDs of 3W	4 LEDs of 3W 1 LED of 1W	Omnidirectional parabolic reflector with 15 LEDs
Weight:	330 g	330 g	1580 g (CO400) 1240 g (CO421)
Dimensions (without mounting brackets):	110 x 80 x 235 mm	110 x 80 x 235 mm	140 x 650 - 1515 mm (3-section pole) 140 x 550 - 760 mm (2-section pole)

## HOW TO ORDER:

### LD350 Sputnik:

- 2010477 **LD350 Sputnik** - Sputnik LED directional light (right side), 5 LEDs of 3W, blue light, blue smooth lens, swivel mount, built-in flasher, 12V, R-65 approved
- 2010478 **LD350 Sputnik** - Sputnik LED directional light (left side), 5 LEDs of 3W, blue light, blue smooth lens, swivel mount, built-in flasher, 12V, R-65 approved
- 2010479 **LD350 Sputnik** - Sputnik LED directional light (right side), 5 LEDs of 3W, amber light, amber smooth lens, swivel mount, built-in flasher, 12V
- 2010480 **LD350 Sputnik** - Sputnik LED directional light (left side), 5 LEDs of 3W, amber light, amber smooth lens, swivel mount, built-in flasher, 12V
- 2010481 **LD350 Sputnik** - Sputnik LED directional light (right side), 5 LEDs of 3W, red light, red smooth lens, swivel mount, built-in flasher, 12V
- 2010482 **LD350 Sputnik** - Sputnik LED directional light (left side), 5 LEDs of 3W, red light, red smooth lens, swivel mount, built-in flasher, 12V

### LD360 Sputnik:

- 2010483 **LD360 Sputnik** - Sputnik LED directional light (right side), 4 LEDs of 3W, blue light and 1 LED of 1W red light for "stop light" function, blue smooth lens, swivel mount, built-in flasher, 12V
- 2010484 **LD360 Sputnik** - Sputnik LED directional light (left side), 4 LEDs of 3W, blue light and 1 LED of 1W red light for "stop light" function, blue smooth lens, swivel mount, built-in flasher, 12V

### CO400 Solaris:

- 2005388 **CO400 Solaris** - 3-section telescopic pole, parabolic reflector with 15 LEDs, blue light, blue spreader lens, built-in flasher, 12V, R-65 approved
- 2005389 **CO400 Solaris** - 3-section telescopic pole, parabolic reflector with 15 LEDs, amber light, clear spreader lens, built-in flasher, 12V, R-65 approved
- 2005390 **CO400 Solaris** - 3-section telescopic pole, parabolic reflector with 15 LEDs, red light, red spreader lens, built-in flasher, 12V
- 2005430 **CO421 Solaris** - 2-section telescopic pole, parabolic reflector with 15 LEDs, blue light, blue spreader lens, built-in flasher, 12V, R-65 approved

### Accessory for CO400 Solaris:

- 8216098 **BA-6** - Shock absorber kit for CO400/CO420 Solaris telescopic pole  
Recommended applications subjects to vibration, roads with defective surfaces, etc.

### MC300:

- 4004233-01 **MC300** - Control head for motorbikes, control of priority light, stop-light function, cruise light and continuous siren
- 4004352 **MC300A** - Attenuator MC300 control head for motorbikes, control of priority light, stop-light function, cruise light and continuous siren - high and low intensity (day/night mode)

# LD350/LD360 & CO400 Series

## Led Priority Warning Kit for Motorbikes



# LD350/LD360 & CO400



Federal Signal Vama presents its new **LD350** and **CO400** series, a priority warning LED kit for police motorcycles R-65 approved.

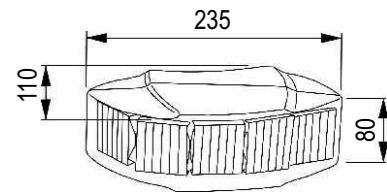
The **LD350** series consists of 2 front Sputnik LED light heads of revolutionary design which distribute the light beam at a horizontal angle of 120 degrees. The Sputnik LED technology sticks out for its advanced optical design, high luminosity and low current draw. Each light head comes with a metallic swivel bracket. Available in right and left side versions. The **LD360** series includes a red LED for "stop light" function.

The light source of the **CO400 Solaris** telescopic pole is formed by the brand-new Solaris system.

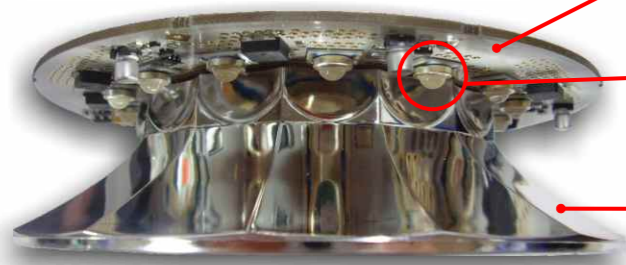
The LD350/LD360 and CO400 series offers vast configuration possibilities thanks to its built-in flasher:

- Simultaneous flashing of LD350 front head lights alternating with CO400 telescopic mast.
- Synchronisation of LD350/LD360 head lights and CO400 telescopic pole.
- Cruise light for the whole motorbike kit.

LD350/LD360 Sputnik in mm



CO400 Solaris  
Telescopic pole



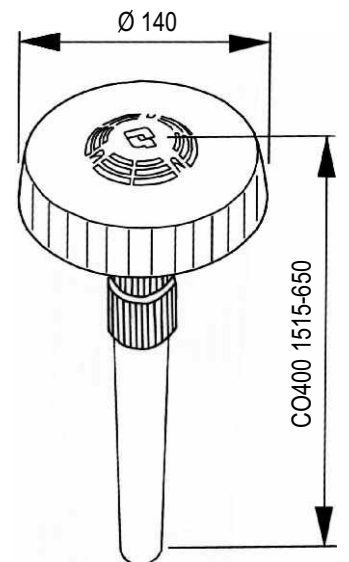
The Solaris technology means born under the ultimate influence of sun.

- A High-efficiency PC board with integrated microprocessor.
- B 15 high-luminosity LEDs of the latest generation, integrated in the PC board.
- C Parabolic reflector that maximises the luminosity of the LEDs. The light output of the LEDs is reflected in the mirrors and the reflector unit provides an exceptional light beam with superior off-axis warning and eliminates any dark spots.



The **MC300** motorbike control head allows easy control of all LD350/LD360 and CO400 functions (priority light and cruise light) as well as of the SoundStar compact siren functions (continuous siren). The MC300A control head controls also the function of high/low intensity siren (day/night mode).

CO400 Solaris in mm

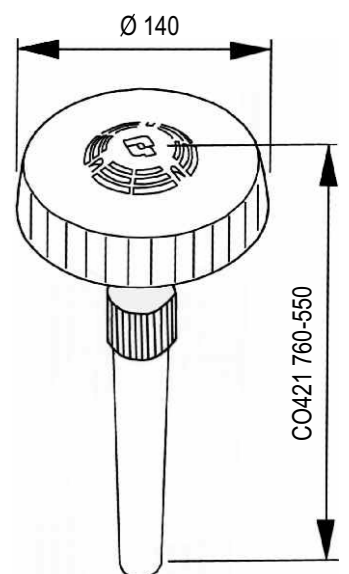


## Approvals

LD350 light heads and CO400 Solaris telescopic poles (R-65 flashing and "rotating effect" mode) are according to the R-65 European Regulation.

LD350/LD360 & CO400 also comply with the European Directive 2004/04/CE.

CO421 Solaris in mm



LD350 Sputnik  
LED light



LD360 Sputnik  
LED light

