



GHSCENE AREA LIGHT



> Features

- Two independently adjustable 20-watt halogen lamps.
- Internal electrical connections.
- Thick foam gasket creates a tight seal on irregular surfaces.
- Polycarbonate housing provides protection to the vehicle body.
- Easy to install and service.

Excellent scene lighting where you need it most

GHSCENE area lights feature two adjustable 20-watt halogen lamps which allow the user to focus light vertically and horizontally for maximum effectiveness. The replacement lamps are available at most hardware and lighting supply stores making replacement and service quick and easy.

Proven Durability

GHSCENE area lights use the same housing as the FireRay™ perimeter light family. The durable polycarbonate housing provides protection to the vehicle surface by minimizing galvanic reactions that may cause corrosion. In addition, all the electrical connections for GHSCENE lights are inside the unit for added protection. Each unit also comes with a thick foam gasket that provides a tight seal against the vehicle surface, including diamond plate.

Optional Mounting

Each light comes complete with mounting hardware and a plated trim ring. An optional flange is available to complement today's lighting styles such as the Federal Signal QuadraFlare™ perimeter lights. The GHFLANGE may be ordered separately and comes with all the necessary hardware is included.

> How to Order

Select Model

GHSCENE Dual 20-watt adjustable halogen scene light

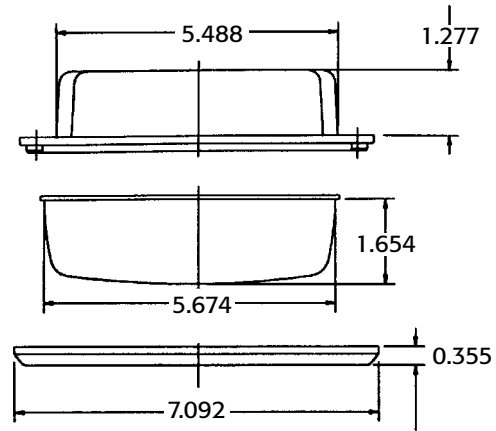
Select Optional Mount

GHFLANGE Cast trim bezel for GHSCENE

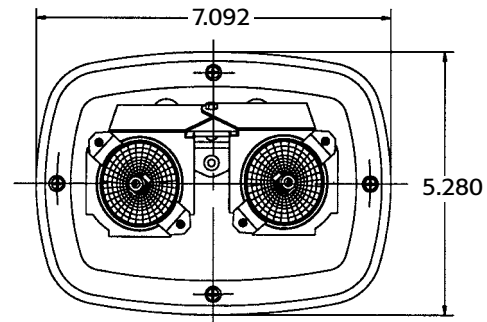
Specifications	
Input Volts	12.8 VDC
Watts	20
Current Draw	3.5A
Physical Dimensions	
Width	7.1 in (18.0 cm)
Height	3.3 in (8.4 cm)
Depth	5.3 in (13.5 cm)
Ship Weight	
	1.3 lb (.6 kg)



TOP VIEW



FRONT VIEW



SIDE VIEW

