

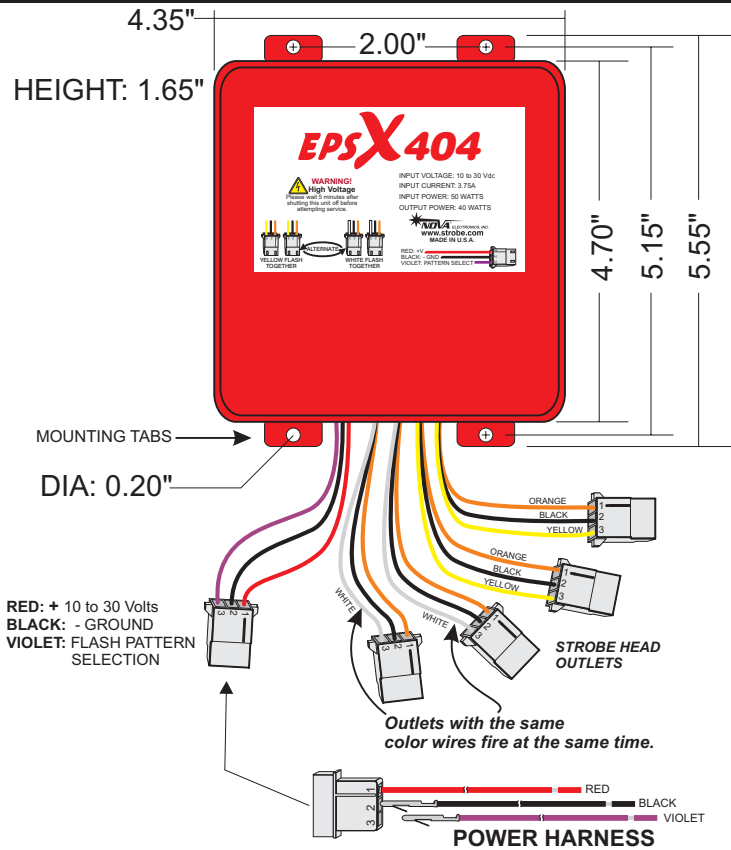
EPSX404

EPS Xtreme 40 Watt, 4 outlet Strobe Power Supply

TECHNICAL SPECIFICATIONS

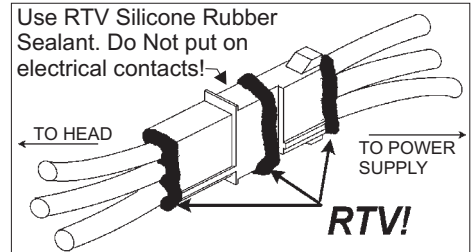
INPUT VOLTAGE	10 to 30 Vdc
INPUT CURRENT	3.75A at 12.8V, 2A at 25.6V
INPUT POWER	50 Watts
OUTPUT POWER	40 Watts
OUTPUT ENERGY	34 Joules
FLASH PATTERNS.....	12

QUICK REFERENCE



INSTALLING THE EPSX404 ...

- When mounting in a location which is exposed to water, the STROBE HEAD OUTLET CONNECTORS must be sealed.



- POWER HARNESS

Connect the **RED** wire to +12/24V through an ON/OFF switch. A 10 AMP fuse should be installed as close as possible to the voltage source.

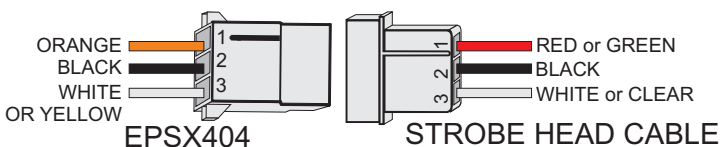
Connect the **BLACK** wire to - Ground.

Note: Use the correct size wire for power connections. The length of the wires determines the size needed.
 1 to 15 ft. use 18AWG wire.
 15 to 30 ft. use 16AWG wire.
 30 to 45 ft. use 14AWG wire.
 45 and over, use 12AWG wire.

The **VIOLET** wire selects the FLASH PATTERN. When the **VIOLET** wire is momentarily connected to +12/24V the EPSX404 will advance to the next flash pattern in the flash pattern list. The EPSX404 will remember the flash pattern you select even when power is removed, or the EPSX404 is removed from the vehicle. The **VIOLET** wire can be run to a momentary pushbutton located inside the vehicle if you wish to change flash patterns frequently.

INSTALLING THE EPSX404

- Mounting**
The EPSX404 can be mounted to a flat surface. The holes in the mounting tabs will accept up to a #10 screw.
- Connect Strobe Heads**
Outlets with **WHITE** wires fire at the same time and alternate with the outlets that have **YELLOW** wires.



FLASH PATTERN LIST

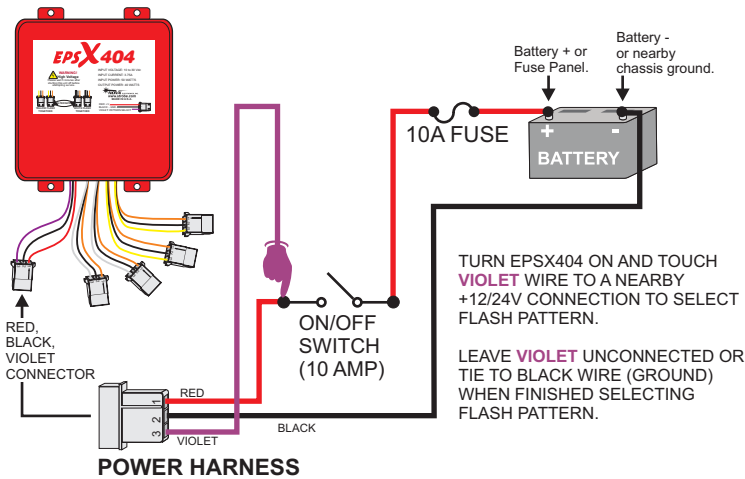
#	Flash Pattern	Description
1	Random, Level 5	Randomly selects from all patterns and runs each pattern 5 times.
2	Single Flash	Single flash alternating, 200 Flashes per minute.
3	Double Flash	2 Flash Bursts Alternating, 125 double flashes per minute.
4	Triple Flash	3 Flash Bursts Alternating, 140 Triple Flashes per minute.
5	Quad Flash	4 Flash Bursts Alternating, 140 Quad Flashes per minute.
6	Quintuple Flash	5 Flash Bursts Alternating, 140 Quintuple Flashes per minute.
7	Mega Flash	Single flash alternating, 700 Flashes per minute.
8	Phased Mega Flash	Flashrate varies from 360 FPM to 860 FPM
9	Warble	6 Single flashes at 450 FPM, 6 single flashes at 860 FPM.
10	Single-Double	Single Flash, Double Flash combination.
11	Single-Quad	Single Flash, Quad Flash combination.
12	Cycle Flash	Classic EPS Cycle Flash. Cycles through Double-Quad-Mega.

Pattern selection loops back to Pattern 1 when incremented past Pattern 12.

TIP: Connecting **VIOLET** to +12/24V while turning power switch ON will reset the flash pattern to pattern #1.

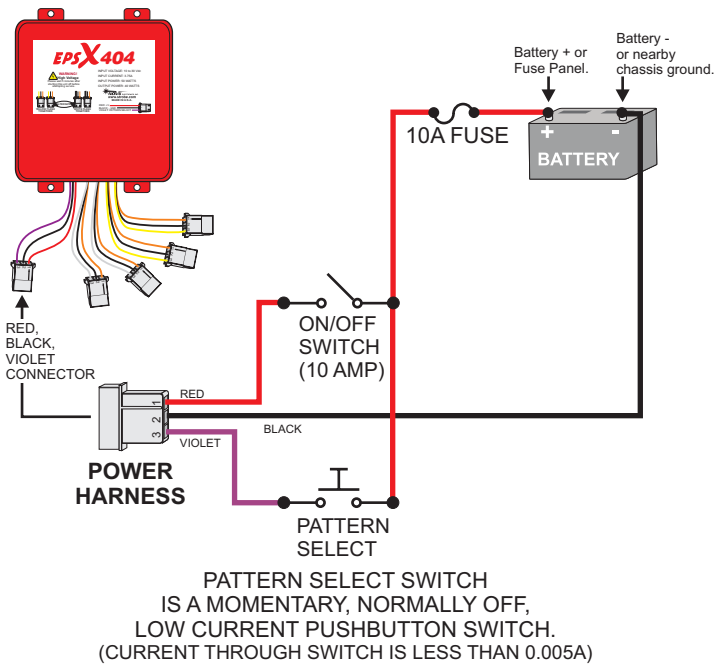
WIRING DIAGRAM 1

BASIC WIRING WITH SIMPLE ON/OFF SWITCH



WIRING DIAGRAM 2

ON/OFF AND FLASH PATTERN SELECTION



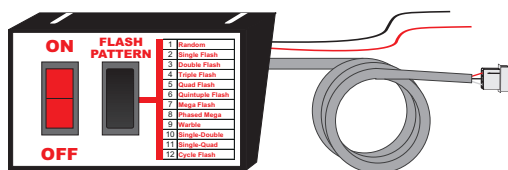
PRESSING PATTERN SELECT WILL INCREMENT THE FLASH PATTERN.
PRESS AND HOLD PATTERN SELECT WHILE TURNING THE POWER SWITCH ON TO RESET FLASH PATTERN TO #1.

ACCESSORIES

The following accessories are available to make the installation of the EPSX404 power supply even easier:

SWITCH-EPSX

ON/OFF with PATTERN SELECT pushbutton switch panel with 15 foot pre-wired harness. Provides the same function as WIRING DIAGRAM 2.



TROUBLESHOOTING

If the EPSX404 stops working check the following:

1) POWER CONNECTIONS

Check for corroded connections to +12/24V and Ground. A bad connection will cause the voltage to drop at the EPSX404. The EPSX404 will shut off if the voltage drops below 10 Volts.

2) OUTPUT SHORT CIRCUIT.

The EPSX404 will shut down if there is a short circuit condition on any one of the strobe heads. If the electrical conductors connecting the power supply to the strobe heads are exposed to water a short circuit will result. The first sign is intermittent operation, followed by complete shutdown of the strobe system.

To find the short circuit, unplug all strobe head cables from the EPSX404. Test **one** cable/head at a time until the problem is found. Water shoring shows as a blue/green colored residue where the short circuit has occurred.

FLASH PATTERN LIST CUTOUTS



THESE LISTS MAY BE CUT-OUT AND USED ON CUSTOM SWITCH PANELS, ETC.

#	Flash Pattern	Description
1	Random, Level 5	Randomly selects from all patterns and runs each pattern 5 times.
2	Single Flash	Single flash alternating, 200 Flashes per minute.
3	Double Flash	2 Flash Bursts Alternating, 125 double flashes per minute.
4	Triple Flash	3 Flash Bursts Alternating, 140 Triple Flashes per minute.
5	Quad Flash	4 Flash Bursts Alternating, 140 Quad Flashes per minute.
6	Quintuple Flash	5 Flash Bursts Alternating, 140 Quintuple Flashes per minute.
7	Mega Flash	Single flash alternating, 700 Flashes per minute.
8	Phased Mega Flash	Flashrate varies from 360 FPM to 860 FPM
9	Warble	6 Single flashes at 450 FPM, 6 single flashes at 860 FPM.
10	Single-Double	Single Flash, Double Flash combination.
11	Single-Quad	Single Flash, Quad Flash combination.
12	Cycle Flash	Classic EPS Cycle Flash. Cycles through Double-Quad-Mega.

1	Random
2	Single Flash
3	Double Flash
4	Triple Flash
5	Quad Flash
6	Quintuple Flash
7	Mega Flash
8	Phased Mega
9	Warble
10	Single-Double
11	Single-Quad
12	Cycle Flash

1	Random
2	Single Flash
3	Double Flash
4	Triple Flash
5	Quad Flash
6	Quintuple Flash
7	Mega Flash
8	Phased Mega
9	Warble
10	Single-Double
11	Single-Quad
12	Cycle Flash

1	Random
2	Single Flash
3	Double Flash
4	Triple Flash
5	Quad Flash
6	Quintuple Flash
7	Mega Flash
8	Phased Mega
9	Warble
10	Single-Double
11	Single-Quad
12	Cycle Flash