

**INSTRUCTION SHEET  
FOR  
20-WATT HIGHLIGHTER™ STROBE  
MINI-LIGHTBAR LIGHT ASSEMBLIES**

**SAFETY MESSAGE TO INSTALLERS AND USERS**

** WARNING**

**People's lives depend on your safe installation of our products. It is important to read, understand and follow all instructions shipped with this product and the related add-on products. In addition, listed below are some other important safety instructions and precautions you should follow:**

- To properly install this light: you must have a good understanding of automotive electrical procedures and systems, along with proficiency in the installation and use of safety warning equipment.
- When drilling into a vehicle structure, be sure that both sides of the surface are clear of anything that could be damaged. Remove all burrs from drilled holes. To prevent electrical shorts, use grommets at all drilled holes through which wiring passes.
- A light system is a high current device. In order for it to function properly, a separate ground connection must be made. If practical, it should be connected to the negative battery terminal. At a minimum, it may be attached to a solid metal body or chassis part that will provide an effective ground path as long as the light is to be used.
- Because vehicle roof construction and driving conditions vary, Federal Signal does not recommend driving a vehicle with a magnetically mounted warning light installed. The light could fly off the vehicle causing injury or damage. Repair of damage incurred because of ignoring this warning shall be the sole responsibility of the user.
- Locate light system controls so the VEHICLE and CONTROLS can be operated safely under all driving conditions.
- You should frequently inspect the light to ensure that it is operating properly and that it is securely attached to the vehicle.
- File these instructions in a safe place and refer to them when maintaining and/or reinstalling the product.

**Failure to follow all safety precautions and instructions may result in property damage, serious injury, or death to you or others.**

## I. GENERAL.

This instruction sheet provides directions for installation, wiring, and maintenance of the 20-Watt Highlighter Strobe Mini-Lightbar Light Assemblies.

After unpacking the Light Assembly, inspect it for damage that may have occurred in transit. If the unit has been damaged, do not attempt to install or operate it. File a claim immediately with the carrier, stating the extent of damage. Carefully check all envelopes, shipping labels, and tags before removing or destroying them. Ensure that the parts listed in the KIT CONTENTS LIST are contained in the packing carton.

### CAUTION

To avoid damage when drilling, ensure that both sides of mounting surface are clear of any parts or wires. Also, when drilling any holes, ensure that holes are drilled only through sheet metal and not through upholstery. For some applications, temporary removal of interior trim may be needed. Consult vehicle manufacturer for proper procedures.

## II. KIT CONTENTS LIST.

### NOTE

These parts are not included with the magnetic or magnetic suction cup mount models.

Qty.	Description	Part Number
4	Screw, Thd. Form., 1/4"	7011A158A-12
1	Grommet	8108A002

## III. INSTALLATION.

### WARNING

**When installing equipment inside air bag equipped vehicles, the installer MUST ensure that the equipment is installed ONLY in areas recommended by the vehicle manufacturer. Failure to observe this warning will reduce the effectiveness of the air bag, damage the air bag, or potentially damage or dislodge the equipment, causing serious injury or death to you or others.**

### WARNING

**Wait 10 minutes with the power disconnected when servicing strobe versions of the Highlighter. High voltages are present inside the unit. Failure to do so may result in property damage, serious injury, or death to you or others.**

The Light Assembly is completely wired at the factory and does not require any additional internal wiring. User-supplied 18 gauge or larger wire may be added if required. Optional 15-foot cable kits are available from your dealer.

Three permanent mounting styles are available: top mounting, bottom mounting, and center mounting. Read paragraph III.A. below and then choose the mounting style

that's most appropriate for the installation. Figure 1 shows the various mounting methods.

A. *Permanent Mount.*

1. Top Mount.

a. Remove the four screws (one at each corner) which secure the dome to the base plate and remove the dome (see figure 2). Retain the screws.

Remove the inner fresnel domes as described in paragraph IV.C.2.b.

b. Select a relatively flat and level position on the mounting surface. Use the base as a template, or use figure 3 as a guide, and scribe four drill position marks on the mounting surface.

The wire routing hole can be located behind the wire exit hole or under the center of the base. Scribe a drill position mark (wire routing hole) on the mounting surface at the desired location.

**NOTE**

If the wire routing hole is under the base, carefully cut a slit in the mounting pad and re-route the light assembly wires through the mounting pad.

c. Drill four 13/64" holes (mounting holes) at the previously scribed drill position marks. Drill one 1/2" hole (wire routing hole) at the previously scribed drill position mark. Install the grommet in the wire routing hole.

d. See figure 1. Using a 17/64" drill, enlarge the diameter of the mounting holes by drilling through.

e. Route the wires through the previously installed grommet. Apply silicone sealing compound around the wires and grommet where the wires pass through the mounting surface to prevent leakage.

**CAUTION**

To prevent a short circuit or broken wire, dress the wires to avoid pinching between the base plate and mounting surface. Also, do not allow the mounting screws to pierce the wires.

f. Carefully position the light assembly over the mounting holes. Secure the light assembly to the mounting surface using the 1/4" thread-forming screws as shown in figure 1. Replace the dome using the previously removed screws.

g. To complete the installation, proceed to paragraph III.A.4.

2. Bottom Mount.

**NOTE**

It is not necessary to remove the dome for this mounting method.

a. Select a relatively flat and level position on the mounting surface. Using figure 3 as a guide, scribe four drill position marks on the mounting surface.

The wire routing hole can be located behind the wire exit hole or under the base. Scribe a drill position mark (wire routing hole) on the mounting surface at the desired location.

#### **NOTE**

If the wire routing hole is under the base, carefully cut a slit in the mounting pad and re-route the light assembly wires through the mounting pad.

b. Drill four 9/32" holes (mounting holes) at the previously scribed drill position marks. Drill one 1/2" hole (wire routing hole) at the previously scribed drill position mark. Install the grommet in the wire routing hole.

c. Route the wires through the previously installed grommet. Apply silicone sealing compound around the wires and grommet where the wires pass through the mounting surface to prevent leakage.

#### **CAUTION**

To prevent a short circuit or broken wire, dress the wires to avoid pinching between the base plate and mounting surface. Also, do not allow the mounting screws to pierce the wires.

d. Carefully position the light assembly over the mounting holes. Insert the 1/4" thread-forming screws through the mounting surface and tighten them into the base as shown in figure 1.

e. To complete the installation, proceed to paragraph III.A.4.

### **3. Center Mount (optional).**

When the light assembly is ordered with the center mount option, it is supplied with two 5/16-18 hex head bolts factory-installed in the base. It is not necessary to remove the dome during installation.

#### **NOTE**

This mounting method can also be used with user-supplied 5/16-18 hex head bolts. It will be necessary to remove the dome(s) to insert the 5/16-18 hex head bolts.

a. Select a relatively flat and level position on the mounting surface. Using figure 3 as a guide, scribe two drill position marks on the mounting surface.

The wire routing hole can be located behind the wire exit hole or under the center of the base. Scribe a drill position mark (wire routing hole) on the mounting surface at the desired location.

#### **NOTE**

If the wire routing hole is under the base, carefully cut a slit in the mounting pad and re-route the light assembly wires through the mounting pad.

b. Drill two 3/8" holes (mounting holes) at the previously scribed drill position marks. Drill one 1/2" hole (wire routing hole) at the previously scribed drill position mark. Install the grommet in the wire routing hole.

## CAUTION

To prevent a short circuit or broken wire, dress the wires to avoid pinching between the base plate and mounting surface. Also, do not allow the mounting screws to pierce the wires.

- c. Tighten each 5/16-18 locknut to draw the bolt head into the press-fit pocket. Remove and retain the locknuts.
- d. Align the 5/16-18 bolts with the previously drilled 3/8" holes and position the light assembly on the mounting surface.
- e. Route the wires through the previously installed grommet. Apply silicone sealing compound around the wires and grommet where the wires pass through the mounting surface to prevent leakage.
- f. Secure the light assembly in position with the locknuts as shown in figure 1.
- g. To complete the installation, proceed to paragraph III.A.4.

### B. *Magnetic, or Magnetic / Suction Cup Mount.*

#### WARNING

**Because vehicle roof construction and driving conditions vary, Federal Signal does not recommend driving a vehicle with a magnetically mounted warning light installed. The light could fly off of the vehicle causing Injury or damage. Repair of damage incurred because of ignoring this warning shall be the sole responsibility of the user.**

## SAFETY MESSAGE TO OPERATORS

#### WARNING

**Holding power of magnetic mounting systems is dependent upon surface finish, surface flatness, and thickness of the steel mounting surface. Therefore, to promote proper magnetic mounting:**

- **Mounting surface and magnets must be kept clean, dry, and free of foreign particles that prevent good surface contact.**
- **Ensure that the mounting surface is flat.**
- **Magnetic mounting system should not be used on vehicles with vinyl tops.**

1. Place the light assembly on the vehicle roof at a location, which provides maximum signaling effectiveness for your application.

2. For models with suction cups, release trapped air by applying downward pressure to the top of the dome while pulling up on the release tabs. See figure 4.

3. To operate the magnet mount light assembly, insert the plug on the end of the cable assembly in the cigarette lighter socket.

4. To remove models with suction cups; pull up on the release tabs while picking up the lightbar.

C. *Wiring.*

1. Install a user-supplied control head or switch at a location which allows the vehicle and all controls to be operated safely under all driving conditions. Switch current capacity should be at least 15 amps.

2. Route user-supplied wires, or the optional cable kit, from the control head or switch to the light assembly wires.

**CAUTION**

Light Assembly will not function properly without a good ground connection. Ensure that the black wire is attached to known good vehicle ground.

3. See figure 5 and select the appropriate wiring diagram. Complete the wiring as shown. Be SURE to use fuses with proper current ratings (see figure 5). The fuse should be located on the positive wire, as close to the power source as possible. Insulate any exposed connections with electrical tape or heat shrink tubing.

D. *Highlighter Strobe Special Function Instructions.*

The minibar will function normally when its red wire is connected to positive and the black is connected to ground or is plugged in for the mag-mount models. To access its additional features, read and perform the following:

1. Hi-low power operation.

This light has an automatic low power mode, which is enabled by default when shipped. This feature will lower the intensity of the flashes when operated at night or other low light conditions. When powered up at night, the bar will operate at full intensity for approximately 10 seconds and then enter its lower mode of operation.

To disable this feature perform the following:

a. Permanent Mount Units.

Connect the white with red wire along with the red wire to the switched power source. See the wiring diagram, figure 5.

b. Magnetic Mount Units.

Remove the dome. Find the white wire with the red tracer. Free it by cutting the wire tie, which secures it. Connect this wire to the tab shown in figure 6. Replace the dome.

2. Pattern Selection.

a. Permanent Mount Units.

To change the flash pattern on a permanent mount bar temporarily touch the white with red wire to ground. Each time this wire is connected to ground the pattern will jog to the next in line. Continue tapping this wire to ground until the

bar operated in the desired pattern. Allow the bar to flash for 10 seconds in the desired pattern to set it into memory.

Cut the stripped end of this wire off and tie it off out of the way if future pattern changes are anticipated, or cut it flush with the base if the flash pattern is not to be changed again.

b. Magnetic Mount Units.

Remove the dome. Find the white wire with the red tracer. Free it by cutting the wire tie, which secures it. Momentarily connect this connector to the ground tab to switch the flash pattern. See figure 6. Each time this wire is connected to ground the pattern will change to the next pattern in line. Continue connecting this wire to ground until the bar operates in the desired pattern. Allow the bar to flash for 10 seconds in the desired pattern to set it into memory.

If future pattern changes are anticipated, dress this wire off out of the way and secure with a wire-tie. If the flash pattern will not be changed again, cut it flush with the back of the power supply connector.

#### IV. MAINTENANCE.

A. *Cleaning the Plastic Dome.*



**Crazing (cracking) of dome will cause reduced effectiveness of light system. Do not use cleaning agents (which will cause crazing) such as strong detergents, solvents, or petroleum products. If crazing of dome does occur, reliability of light for emergency warning purposes may be reduced until dome is replaced.**

Ordinary cleaning of the plastic dome can be accomplished by using mild soap and a soft rag. Should fine scratches or a haze appear on dome, they can ordinarily be removed with a non-abrasive, high quality, one-step, automotive paste cleaner/wax and a soft cloth.

B. *Cleaning Reflectors and Mirrors.*



**Scratched or dulled reflectors or mirrors will cause reduced effectiveness of light system. Avoid heavy pressure and use of caustic or petroleum based products when cleaning. If reflectors or mirrors become scratched or dulled, reliability of light for emergency warning purposes may be reduced until reflectors or mirrors are replaced.**

Use a soft tissue to clean the reflectors and mirrors.

C. *Strobe Tube Replacement.*



**High voltage generated by the light's power supply may cause property damage, serious injury or death to you or others. Insure that power to light is disconnected and wait at least 10 minutes before working on the light.**

1. Remove the dome as described in paragraph III.A.1.a.
2. Remove the inner fresnel dome covering the tube to be replaced. Grasp the dome with upward pressure while flexing the retainer tabs backwards to release it. See figure 7.
3. Disconnect the 3-pin connector from the power supply.
4. Push the strobe tube down and out through the opening in the bracket.
5. Place the new tube into the bracket by pushing the tube up from the bottom side of the bracket.
6. Connect the 3-pin connector to the power supply.
7. Replace the domes, and test for proper operation.

# CONJUNTOS DE LUCES ESTROBOSCOPICAS PARA BARRAS DE ILUMINACION MINIATURA HIGHLIGHTER™ DE 20 VATIOS

## AVISO SOBRE SEGURIDAD PARA INSTALADORES Y USUARIOS

### ADVERTENCIA

**La vida de muchas personas depende de una buena instalación de nuestros productos. Es importante que lea, entienda y siga todas las instrucciones incluidas con este producto y con productos adicionales relacionados. Asimismo, a continuación señalamos algunas precauciones y normas de seguridad importantes que deberá seguir al realizar la instalación.**

- Para instalar debidamente este juego de luces; usted deberá estar familiarizado con procedimientos y sistemas eléctrico-automotrices, y contar con experiencia en la instalación y uso de equipos de protección y advertencia.
- Al perforar el armazón de un vehículo, revise ambos lados de la superficie a fin de asegurarse de que no haya ningún objeto que pudiera dañarse. Elimine todas las protuberancias de los orificios perforados. Para evitar cortocircuitos eléctricos, proteja con un ojal todos los orificios perforados a través de los cuales se enrutará el cableado.
- Los sistemas de luces son dispositivos de alta corriente. A fin de que estos funcionen correctamente, debe realizarse una conexión a tierra por separado. Si resulta práctico, deberá conectarse al terminal negativo de la batería. Las luces deberán sujetarse, por lo menos, a un armazón de metal sólido o a una pieza del chasis que proporcione una vía a tierra efectiva mientras las luces están en funcionamiento.
- Dado que la construcción del techo del vehículo y las situaciones de manejo varían, Federal Signal no recomienda manejar un vehículo que tenga instalada una luz de advertencia de montaje magnético. La luz podría salir disparada del vehículo y ocasionar lesiones o daños. La reparación de daños incurridos por haberse hecho caso omiso de esta advertencia será responsabilidad absoluta del usuario.
- Ubique los controles del sistema de luces de modo que pueda manejar sin peligro tanto el VEHICULO como los CONTROLES de las luces, en cualquier situación de manejo.
- Deberá inspeccionar las luces de forma habitual para garantizar que funcionen correctamente y se encuentren debidamente sujetas al vehículo.
- Archive estas instrucciones en un lugar seguro y consúltelas cada vez que dé mantenimiento o vuelva a instalar el producto.

**De no tomar estas precauciones ni seguir estas instrucciones pueden ocasionarse daños materiales, lesiones graves o ponerse en peligro su vida y la de los demás.**

## I. GENERAL.

La hoja de instrucciones incluye direcciones para la instalación, el cableado y el mantenimiento de los Conjuntos de Luces Estroboscópicas para Barras de Iluminación Miniatura Highlighter de 20 Vatios.

Después de desempacar la unidad, inspeccione si han ocurrido daños durante el envío. Si la unidad ha sufrido daños, no intente instalarla o ponerla en funcionamiento; entable una reclamación inmediatamente con el transportista, e indique la importancia de estos. Verifique cuidadosamente todos los sobres, etiquetas de envío y marbetes antes de removerlos o destruirlos. Asegúrese de que el paquete contenga las partes enumeradas en la LISTA DEL CONTENIDO DEL JUEGO.

### PRECAUCION

Para evitar daños cuando realice la perforación, revise ambos lados de la superficie de montaje a fin de asegurarse de que no hayan partes o cables presentes. Además, cuando perforo orificios, asegúrese de que los mismos sean perforados únicamente a través de planchas de metal y no de la tapicería. Para algunas aplicaciones, podría necesitar extraer temporalmente la guarnición interior. Consulte el fabricante del vehículo para informarse sobre los procedimientos adecuados a seguir.

## II. LISTA DEL CONTENIDO DEL JUEGO.

### AVISO

Las siguientes partes no se incluyen con los modelos de montaje magnético o copilla de succión magnética.

Cantidad	Descripción	Número de Parte
4	Tornillos formadores de rosca, 1/4"	7011A158A-12
1	Ojal	8108A002

## III. INSTALACION.

### ADVERTENCIA

**Durante la instalación de equipo dentro de vehículos equipados con bolsas de aire, el instalador DEBE asegurarse de instalar el equipo ÚNICAMENTE en áreas recomendadas por el fabricante del vehículo. El no tomar estas precauciones reducirá la eficacia de la bolsa de aire o posiblemente dañará o desprenderá el equipo, causando lesiones graves o la muerte a usted u otros.**

### ADVERTENCIA

**Espere 10 minutos con la potencia desconectada cuando realice el servicio de mantenimiento de versiones estroboscópicas del Highlighter. Dentro de la unidad se encuentran presentes altos voltajes. De no tomar estas precauciones pueden ocasionarse daños materiales, lesiones graves o la muerte a usted u otros.**

El Conjunto de Luces viene completamente cableado de fábrica y no requiere ningún cableado interno adicional. De ser necesario, podría añadirse un cable calibre 18 o mayor suministrado por el cliente. A través de su distribuidor podrá adquirir juegos de cable de 4,6 m (15 pies) opcionales.

Se dispone de tres estilos de montaje permanente: montaje superior, montaje inferior y montaje central. Lea el párrafo III.A. a continuación y entonces seleccione el estilo de montaje que mejor se adecúe a su instalación. La figura 1 muestra varios métodos de montaje.

A. *Montaje Permanente.*

1. Montaje Superior.

a. Retire los cuatro tornillos (uno en cada esquina) que aseguran el domo a la placa de base y retire el domo (véase la figura 2). Conserve los tornillos.

Retire los domos escalonados internos según se describe en el párrafo IV.C.2.b.

b. Seleccione una posición relativamente plana y nivelada en la superficie de montaje. Use la base en calidad de plantilla, o utilice la figura 3 a modo de guía, y marque sobre la superficie de montaje las cuatro posiciones de perforación.

El orificio de enrutamiento del cable puede ubicarse detrás del orificio de salida del cable o debajo del centro de la base. Marque la posición de perforación (orificio de enrutamiento del cable) en la ubicación deseada sobre la superficie de montaje.

**AVISO**

Si el orificio de enrutamiento del cable se encuentra debajo de la base, con cuidado corte una abertura en la almohadilla de montaje y vuelva a enrutar los cables del conjunto de luces a través de la almohadilla de montaje.

c. Perfore cuatro orificios de 13/64" (orificios de montaje) en las posiciones de perforación marcadas previamente. Perfore un orificio de 1/2" (orificio de enrutamiento del cable) en la posición de perforación marcada previamente. Instale el ojal en el orificio de enrutamiento del cable.

d. Véase la figura 1. Con un taladro de 17/64", ensanche el diámetro de los orificios de montaje taladrando a través de ellos.

e. Enrute los cables a través del ojal instalado anteriormente. Aplique un compuesto obturador de silicona alrededor de los cables y el ojal donde los cables pasan a través de la superficie de montaje para evitar fugas.

**PRECAUCION**

Para evitar cortocircuitos o cables rotos, forre los cables para impedir que queden atrapados entre la placa de base y la superficie de montaje. Además, no permita que los tornillos de montaje perforen los cables.

f. Con cuidado, coloque el conjunto de luces sobre los orificios de montaje. Asegure el conjunto de luces en la superficie de montaje utilizando los tornillos formadores de rosca de 1/4" según se muestra en la figura 1. Vuelva a colocar el domo utilizando los tornillos retirados anteriormente.

g. Para finalizar la instalación, proceda al párrafo III.A.4.

## 2. Montaje Inferior.

### AVISO

No es necesario retirar el domo para seguir este método de montaje.

a. Seleccione una posición relativamente plana y nivelada en la superficie de montaje. Utilizando la figura 3 en calidad de plantilla, marque sobre la superficie de montaje las cuatro posiciones de perforación.

El orificio de enrutamiento del cable puede ubicarse detrás del orificio de salida del cable o debajo de la base. Marque la posición de perforación (orificio de enrutamiento del cable) en la ubicación deseada sobre la superficie de montaje.

### AVISO

Si el orificio de enrutamiento del cable se encuentra debajo de la base, con cuidado corte una abertura en la almohadilla de montaje y vuelva a enrutar los cables del conjunto de luces a través de la almohadilla de montaje.

b. Perfore cuatro orificios de 9/32" (orificios de montaje) en las posiciones de perforación marcadas previamente. Perfore un orificio de 1/2" (orificio de enrutamiento del cable) en la posición de perforación marcada previamente. Instale el ojal en el orificio de enrutamiento del cable.

c. Enrute los cables a través del ojal instalado anteriormente. Aplique un compuesto obturador de silicona alrededor de los cables y el ojal donde los cables pasan a través de la superficie de montaje para evitar fugas.

### PRECAUCION

Para evitar cortocircuitos o cables rotos, forre los cables para impedir que queden atrapados entre la placa de base y la superficie de montaje. Además, no permita que los tornillos de montaje perforen los cables.

d. Con cuidado, coloque el conjunto de luces sobre los orificios de montaje. Introduzca los tornillos formadores de rosca de 1/4" a través de las superficies de montaje y apriételos en la base según se muestra en la figura 1.

e. Para finalizar la instalación, proceda al párrafo III.A.4.

## 3. Montaje Central (opcional).

Cuando se hace el pedido de un conjunto de luces con opción de montaje central, se suministrará la unidad con dos pernos de cabeza hexagonal de 5/16-18 instalados de fábrica en la base. No será necesario retirar el domo durante la instalación.

### AVISO

Este método de montaje puede utilizarse, además, con pernos de cabeza hexagonal de 5/16-18 suministrados por el usuario. Será necesario retirar el domo(s) para introducir los pernos de cabeza hexagonal de 5/16-18.

a. Seleccione una posición relativamente plana y nivelada en la superficie de montaje. Utilizando la figura 3 en calidad de plantilla, marque sobre la superficie de montaje las dos posiciones de perforación.

El orificio de enrutamiento del cable puede ubicarse detrás del orificio de salida del cable o debajo del centro de la base. Marque la posición de perforación (orificio de enrutamiento del cable) en la ubicación deseada sobre la superficie de montaje.

### AVISO

Si el orificio de enrutamiento del cable se encuentra debajo de la base, con cuidado corte una abertura en la almohadilla de montaje y vuelva a enrutar los cables del conjunto de luces a través de la almohadilla de montaje.

b. Perfore dos orificios de 3/8" (orificios de montaje) en las posiciones de perforación marcadas previamente. Perfore un orificio de 1/2" (orificio de enrutamiento del cable) en la posición de perforación marcada previamente. Instale el ojal en el orificio de enrutamiento del cable.

### PRECAUCION

Para evitar cortocircuitos o cables rotos, forre los cables para impedir que queden atrapados entre la placa de base y la superficie de montaje. Además, no permita que los tornillos de montaje perforen los cables.

c. Apriete todas las tuercas de seguridad de 5/16-18 para empujar la cabeza del perno en la cavidad de montaje a presión. Retire y conserve las tuercas de seguridad.

d. Alinee los pernos de 5/16-18 con los orificios perforados anteriormente y coloque el conjunto de luces sobre la superficie de montaje.

e. Enrute los cables a través del ojal instalado anteriormente. Aplique un compuesto obturador de silicona alrededor de los cables y el ojal donde los cables pasan a través de la superficie de montaje para evitar fugas.

f. Asegure el conjunto de luces en su posición con las tuercas de seguridad según se describe en la figura 1.

g. Para finalizar la instalación, proceda al párrafo III.A.4.

B. *Montaje Magnético o Montaje Magnético / Copilla de Succión*

### ADVERTENCIA

**Dado que la construcción del techo del vehículo y las situaciones de manejo varían, Federal Signal no recomienda manejar un vehículo que tenga instalada una luz de advertencia de montaje magnético. La luz podría salir disparada del vehículo y ocasionar lesiones o daños. La reparación de daños incurridos por haberse hecho caso omiso de esta advertencia será responsabilidad absoluta del usuario.**

## AVISO SOBRE SEGURIDAD PARA OPERADORES

### ADVERTENCIA

**La capacidad de sujeción de los sistemas de montaje magnético depende del acabado de la superficie, de cuán plana sea la superficie, y del grosor de la superficie de montaje de acero. Por lo tanto, para lograr un montaje magnético óptimo:**

- **La superficie de montaje y los imanes deberán mantenerse limpios, secos y libres de partículas extrañas que eviten un buen contacto con la superficie.**
- **Asegurarse de que la superficie de montaje sea plana.**
- **El sistema de montaje magnético no deberá utilizarse en vehículos con capota de vinilo.**

1. Coloque el conjunto de luces en el techo del vehículo en una ubicación que proporcione la efectividad de señalización máxima para su aplicación.

2. Para los modelos con copillas de succión, libere el aire atrapado aplicando presión hacia abajo a la parte superior del domo a la vez que tira hacia arriba de las lengüetas de liberación. Véase la figura 4.

3. Para hacer funcionar el conjunto de luces de montaje magnético, introduzca el enchufe en el extremo del conjunto de cables en el conector del encendedor para cigarrillos.

4. Para retirar los modelos con copillas de succión: tire hacia arriba de las lengüetas de liberación a la vez que levanta la barra de iluminación.

#### C. *Cableado.*

1. Instale un interruptor o cabezal de control suministrado por el usuario en la ubicación que permita operar sin peligro tanto el vehículo como los controles, en cualquier situación de manejo. La capacidad de corriente del interruptor deberá ser como mínimo 15 amperios.

2. Enrute los cables suministrados por el usuario, o el juego de cable opcional, desde el cabezal de control o interruptor hasta los cables del conjunto de luces.

### PRECAUCION

El Conjunto de Luces no funcionará de manera correcta si no cuenta con una buena conexión a tierra. Asegúrese que el cable negro esté sujeto a un buen punto de tierra del vehículo.

3. Vea la figura 5 y seleccione el diagrama de cableado adecuado. Finalice el cableado según se muestra. ASEGURESE de usar fusibles con capacidades de corriente adecuadas (véase la figura 5). El fusible debe ubicarse en el cable positivo, tan cerca del suministro de potencia como sea posible. Aísle cualquier conexión expuesta con cinta aislante o tubo termorretráctil.

#### D. *Instrucciones sobre las Funciones Especiales de la Luz Estroboscópica Highlighter.*

La barra miniatura funcionará de manera normal cuando se conecte el alambre rojo al terminal positivo y el alambre negro a tierra o se conecte para modelos de

montaje magnético. Para obtener acceso a las funciones adicionales, lea y lleve a cabo lo siguiente:

1. Funcionamiento de potencia Alta-Baja.

Esta luz incluye un modo automático de potencia baja, habilitado por omisión antes del envío. Esta función disminuirá la intensidad de los parpadeos cuando se utilice durante la noche o en condiciones de iluminación baja. Cuando se pone en funcionamiento durante la noche, la barra operará a intensidad plena por aproximadamente 10 segundos, luego de los cuales entrará en el modo de funcionamiento bajo. Para inhabilitar esta función, lleve a cabo lo siguiente:

a. Unidades de Montaje Permanente.

Conecte el alambre blanco con rojo junto con el alambre rojo al suministro de potencia conmutado. Véase el diagrama de cableado, figura 5.

b. Unidades de Montaje Magnético.

Retire el domo. Encuentre el alambre blanco con el indicador rojo. Suéltelo cortando la amarra de cables que lo mantiene fijo. Conecte este alambre a la lengüeta mostrada en la figura 6. Vuelva a colocar el domo.

2. Selección de Patrones.

a. Unidades de Montaje Permanente.

Para cambiar el patrón de iluminación en una barra de montaje permanente, toque ligeramente el alambre blanco con el alambre rojo a tierra. Cada vez que este alambre se conecta a tierra el patrón cambiará al próximo en línea. Continúe tocando este alambre a tierra hasta que la barra despliegue el patrón deseado. Permita que la barra parpadee durante 10 segundos en el patrón deseado para guardarlo en la memoria.

Corte el extremo desforrado de este alambre, amárrelo y póngalo a un lado si se anticipan otros cambios de patrones, o córtelo al ras con la base si no se piensa volver a cambiar el patrón de iluminación.

b. Unidades de Montaje Magnético.

Retire el domo. Encuentre el alambre blanco con el indicador rojo. Suéltelo cortando la amarra de cables que lo mantiene fijo. Acople este conector de manera momentánea con la lengüeta a tierra para cambiar el patrón de iluminación. Véase la figura 6. Cada vez que este alambre se conecta a tierra el patrón cambiará al próximo en línea. Continúe conectando este alambre a tierra hasta que la barra despliegue el patrón deseado. Permita que la barra parpadee durante 10 segundos en el patrón deseado para guardarlo en la memoria.

Si se anticipan otros cambios de patrones, forre este cable, póngalo a un lado y asegúrelo con una amarra de cables. Si no se piensa volver a cambiar el patrón de iluminación, córtelo al ras con la parte posterior del conector del suministro de potencia.

#### IV. MANTENIMIENTO.

##### A. *Limpieza del Domo de Plástico.*

#### ADVERTENCIA

**La cuarteadura (el agrietamiento) del domo reducirá la eficacia del sistema de luces. No utilice agentes limpiadores (esto ocasionará cuarteaduras) tales como detergentes fuertes, solventes, o productos derivados del petróleo. Si el domo se cuartea, el funcionamiento confiable de las luces, con propósitos de advertencia en caso de emergencia, se verá afectado hasta que éste no sea reemplazado.**

El domo de plástico, normalmente se puede limpiar con un jabón suave y un trapo suave. Si aparecen rayas finas o bruma en el domo, éstas normalmente se pueden despejar en un solo paso con una pasta de limpieza automotriz de alta calidad que no sea abrasiva o con cera y un paño suave.

##### B. *Limpieza de los Reflectores y los Espejos.*

#### ADVERTENCIA

**Los reflectores o espejos rayados o desgastados reducirán la eficacia del sistema de luces. Evite ejercer demasiada presión y el uso de productos cáusticos o a base de petróleo durante la limpieza. Si los reflectores o espejos se rayan o desgastan, el funcionamiento confiable, con propósitos de advertencia en caso de emergencia, se verá afectado hasta que estos no sean reemplazados.**

Use un paño suave para limpiar los reflectores y espejos.

##### C. *Reemplazo de la Luz Estroboscópica.*

#### ADVERTENCIA

**La alta tensión generada por el suministro de potencia de las luces puede ocasionar daños materiales, lesiones graves o poner en peligro su vida y la de los demás. Asegúrese de que la potencia que va a las luces esté desconectada y espere 10 minutos antes de trabajar en ellas.**

1. Retire el domo según se describe en el párrafo III.A.1.a.
2. Retire el domo escalonado interno que cubre la luz a reemplazar. Sujete el domo ejerciendo presión hacia arriba a la vez que dobla las lengüetas de retención hacia atrás para liberarlo. Véase la figura 7.
3. Desacople el conector de 3 clavijas de la fuente de alimentación.
4. Empuje la luz estroboscópica hacia abajo y hacia fuera a través de la abertura en el sujetador.
5. Coloque la luz nueva en el sujetador empujando la luz hacia arriba desde el lado inferior del sujetador.
6. Acople el conector de 3 clavijas a la fuente de alimentación.
7. Vuelva a colocar los domos, y haga una prueba para verificar que funcionen correctamente.

## ENSEMBLES DE FEUX DE MINI BARRES DE SIGNALISATION STROBOSCOPIQUE HIGHLIGHTER™ DE 20 WATTS

### CONSIGNES DE SÉCURITÉ DESTINÉES AUX INSTALLATEURS ET OPÉRATEURS



**La vie des personnes dépend de votre installation sécuritaire de nos produits. Il est important de lire, comprendre et suivre toutes les instructions accompagnant ce produit et ses accessoires. De plus, d'autres instructions importantes relatives à la sécurité et d'autres précautions à suivre figurent dans la liste ci-dessous :**

- Pour installer correctement ce feu d'avertissement : vous devez bien comprendre les systèmes des véhicules automobiles et leurs procédures et maîtriser l'installation et l'utilisation des équipements d'avertissement de sécurité.
- Lorsque vous percez dans une structure, assurez-vous que les deux côtés de la surface sont exempts de tout élément pouvant être endommagé. Ébarbez soigneusement les trous percés. Pour prévenir les courts-circuits, utilisez des œillets sur chaque trou percé où passe le câblage.
- Un système de feu d'avertissement est un dispositif à courant élevé. Pour fonctionner adéquatement, il doit être mis à la masse au moyen d'une connexion séparée. Dans la mesure du possible, connectez à la borne négative de la batterie. Sinon, elle peut être fixée à un corps métallique solide ou à une partie du châssis qui fournira un chemin efficace de mise à la masse pour toute la vie utile du feu d'avertissement.
- Étant donnée la grande variété de toits de véhicules et de conditions de conduite, Federal Signal ne recommande pas de conduire un véhicule sur lequel est installé un feu d'avertissement magnétique. Le feu pourrait être projeté loin du véhicule et entraîner des blessures ou des dommages. Les réparations ou les dommages encourus par la non observation de cet avertissement sont l'entière responsabilité de l'utilisateur.
- Positionnez la commande du feu d'avertissement de façon que le VÉHICULE et cette COMMANDE puissent être utilisés sans danger dans toutes les conditions de conduite.
- Inspectez fréquemment le feu d'avertissement pour vous assurer qu'il fonctionne correctement et qu'il est fixé solidement au véhicule.
- Rangez ces instructions dans un endroit sûr et consultez-les lors de l'entretien et/ou de la réinstallation du dispositif.

**Le non-respect de ces consignes peut entraîner des dommages au matériel ou des blessures graves, voire mortelles pour vous ou pour les autres.**

## I. GÉNÉRALITÉS.

Cette feuille d'instructions donne des directives pour l'installation, le câblage et l'entretien des ensembles de feux de mini barres de signalisation stroboscopique Highlighter.

Après avoir déballé l'ensemble de feux, inspectez le pour vérifier qu'aucun dommage n'est survenu lors du transport. Si l'appareil a été endommagé, n'essayez pas de l'installer ou de l'utiliser. Déposez immédiatement une réclamation auprès du transporteur en précisant l'étendue des dommages. Vérifiez avec soin toutes les enveloppes, les étiquettes d'expédition et autres étiquettes avant de les enlever ou de les détruire. Assurez-vous que toutes les pièces figurant sur la LISTE DE CONTENU DU KIT, sont incluses dans l'emballage.

### AVERTISSEMENT

Afin de ne rien endommager lors du perçage, assurez-vous qu'aucune pièce ou qu'aucun fil ne se trouve des deux côtés de la surface de montage. De plus, assurez-vous que les trous percés passent uniquement à travers la feuille de métal et non dans la garniture. Certaines applications peuvent exiger le retrait d'une garniture intérieure. Consultez le fabricant du véhicule pour vous informer des procédures à suivre.

## II. LISTE DE CONTENU DU KIT.

### REMARQUE

Ces pièces ne sont pas incluses avec les modèles magnétiques ou à ventouse magnétique.

Qté	Description	Numéro de pièce
4	Vis autotaraudeuses, 1/4 po	7011A158A-12
1	Oeillet	8108A002

## III. INSTALLATION.

### ATTENTION

**Lorsque l'équipement est installé dans des véhicules équipés de coussins gonflables, l'installateur DOIT s'assurer que l'équipement est installé UNIQUEMENT dans les endroits recommandés par le fabricant du véhicule. Le non-respect de cet avertissement réduit l'efficacité du coussin gonflable, l'endommagement ou peut éventuellement endommager ou déloger l'équipement et entraîner des blessures graves ou la mort pour vous ou pour les autres.**

### ATTENTION

**Attendez dix minutes après avoir débranché l'alimentation avant de travailler sur les versions à stroboscope du Highlighter. L'appareil est activé par des hautes tensions. Négliger cette consigne peut entraîner des dommages à la propriété, des blessures graves ou même la mort pour vous ou les autres.**

Le filage de l'assemblage de feux est entièrement installé en usine et n'exige aucun filage interne supplémentaire. L'utilisateur peut fournir un câble de calibre 18 ou supérieur, le cas échéant. Des kits de câble de 4,6 m sont disponibles chez votre concessionnaire.

Trois styles de montages permanents sont disponibles : montage par le haut, montage par le bas et montage par le centre. Lisez le paragraphe III.A. ci-dessous et choisissez le style de montage qui convient le mieux à votre installation. La figure 1 illustre les différentes méthodes de montage.

#### A. *Montage permanent.*

##### 1. Montage par le haut.

a. Enlevez les quatre vis (une dans chaque coin) pour fixer le dôme à la plaque d'appui et enlevez le dôme (voir la figure 2). Conservez les vis.

Enlevez les dômes de Fresnel internes, tel qu'il est décrit au paragraphe IV.C.2.b.

b. Sélectionnez une position relativement plate et de niveau sur la surface de montage. Utilisez la plaque d'appui comme matrice ou la figure 3 comme guide et tracez quatre positions de perçage sur la surface de montage.

Le trou d'acheminement des fils peut être situé derrière son trou de sortie ou sous le centre de la plaque d'appui. Tracez une marque de perçage (trou d'acheminement des fils) sur la surface de montage à l'emplacement voulu.

### REMARQUE

Si le trou d'acheminement des fils est situé sous la plaque d'appui, coupez avec soin une fente dans le tampon de montage et réacheminez l'ensemble des fils à travers le tampon de montage.

c. Percez quatre trous de 13/64 po (trous de montage) aux endroits que vous avez marqués. Percez un trou de 1/2 po (trou d'acheminement des fils) à l'endroit que vous avez marqué. Installez l'œillet fourni dans le trou d'acheminement.

d. Voir la figure 1. Élargissez le diamètre des trous de montage avec une perceuse munie d'un foret de 17/64 po.

e. Acheminez les fils par l'œillet installé précédemment. Afin d'éviter les fuites, appliquez du mastic de jointoiment en silicone autour des fils et de l'œillet à l'endroit où les fils passent dans la surface de montage.

### AVERTISSEMENT

Pour éviter un court-circuit ou un bris de fil, arrangez-les de manière à ce qu'ils ne se pincent pas entre la plaque d'appui et la surface de montage. De plus, ne laissez pas de vis de montage percer les fils.

f. Placez avec précaution l'assemblage de feux par-dessus les trous de montage. Fixez solidement l'assemblage de feux à la surface de montage en utilisant des vis autotaraudeuses de 1/4 po, tel qu'illustré à la figure 1. Remplacez le dôme en utilisant les vis enlevées précédemment.

g. Pour terminer l'installation, passez au paragraphe III.A.4.

## 2. Montage par le bas.

### REMARQUE

Il n'est pas nécessaire d'enlever le dôme pour effectuer ce type de montage.

a. Sélectionnez une position relativement plate et de niveau sur la surface de montage. En vous aidant de la figure 3, tracez trois marques à l'emplacement du perçage sur la surface de montage.

Le trou d'acheminement des fils peut être situé derrière son trou de sortie ou sous la plaque d'appui. Tracez une marque de perçage (trou d'acheminement des fils) sur la surface de montage à l'emplacement voulu.

### REMARQUE

Si le trou d'acheminement des fils est situé sous la plaque, coupez avec soin une fente dans le tampon de montage et réacheminez l'ensemble des fils à travers le tampon de montage.

b. Percez quatre trous de 9/32 po (trous de montage) aux endroits que vous avez marqués. Percez un trou de 1/2 po (trou d'acheminement des fils) à l'endroit que vous avez marqué. Installez l'œillet fourni dans le trou d'acheminement.

c. Acheminez les fils par l'œillet installé précédemment. Afin d'éviter les fuites, appliquez du mastic de jointoiment en silicone autour des fils et de l'œillet à l'endroit où les fils passent dans la surface de montage.

### AVERTISSEMENT

Pour éviter un court-circuit ou un bris de fil, arrangez-les de manière à ce qu'ils ne se pincent pas entre la plaque d'appui et la surface de montage. De plus, ne laissez pas de vis de montage percer les fils.

d. Placez avec précaution l'assemblage de feux par-dessus les trous de montage. Insérez les vis autotaraudeuses de 1/4 po dans la surface de montage et serrez-les dans la plaque d'appui, tel qu'illustré dans la figure 1.

e. Pour terminer l'installation, passez au paragraphe III.A.4.

## 3. Montage par le centre (en option).

Lorsque l'ensemble de feux est commandé avec l'option pour le montage par le centre, l'ensemble est fourni avec deux boulons à tête hexagonale 5/16-8 installés en usine dans la plaque d'appui. Il n'est pas nécessaire d'enlever le dôme pendant l'installation.

### REMARQUE

Cette méthode de montage peut également être utilisée avec des boulons à tête hexagonale 5/16-18 fournis par l'utilisateur. Il peut s'avérer nécessaire d'enlever le(s) dôme(s) pour insérer les boulons à tête hexagonale 5/16-18.

a. Sélectionnez une position relativement plate et de niveau sur la surface de montage. En vous aidant de la figure 3, tracez deux marques à l'emplacement du perçage sur la surface de montage.

Le trou d'acheminement des fils peut être situé derrière son trou de sortie ou sous le centre de la plaque d'appui. Tracez une marque de perçage (trou d'acheminement des fils) sur la surface de montage à l'emplacement voulu.

## REMARQUE

Si le trou d'acheminement des fils est situé sous la plaque, coupez avec soin une fente dans le tampon de montage et réacheminez l'ensemble des fils à travers le tampon de montage.

b. Percez deux trous de 3/8 po (trous de montage) aux endroits que vous avez marqués. Percez un trou de 1/2 po (trou d'acheminement des fils) à l'endroit que vous avez marqué. Installez l'œillet fourni dans le trou d'acheminement.

## AVERTISSEMENT

Pour éviter un court-circuit ou un bris de fil, arrangez-les de manière à ce qu'ils ne se pincent pas entre la plaque d'appui et la surface de montage. De plus, ne laissez pas de vis de montage percer les fils.

c. Serrez chaque contre-écrou 5/16-18 pour tirer la tête de boulon dans la poche d'ajustement serré. Enlevez et conservez les contre-écrous.

d. Alignez les boulons 5/16-18 avec les trous de 3/8 po percés précédemment et placez l'assemblage de feux sur la surface de montage.

e. Acheminez les fils par l'œillet installé précédemment. Afin d'éviter les fuites, appliquez du mastic de jointoiement en silicone autour des fils et de l'œillet à l'endroit où les fils passent dans la surface de montage.

f. Fixez solidement l'assemblage de feux avec les contre écrous, tel qu'illustré à la figure 1.

g. Pour terminer l'installation, passez au paragraphe III.A.4.

B. *Montage magnétique, ou à succion / magnétique.*

## ATTENTION

**Étant donnée la grande variété de toits de véhicules et de conditions de conduite, Federal Signal ne recommande pas de conduire un véhicule sur lequel est installé un feu d'avertissement magnétique. Le feu pourrait être projeté loin du véhicule et entraîner des blessures ou des dommages. Les réparations ou les dommages encourus par la non observation de cet avertissement sont l'entière responsabilité de l'utilisateur.**

## CONSIGNES DE SÉCURITÉ DESTINÉES AUX UTILISATEURS

### ATTENTION

**La capacité d'adhérence des systèmes de montage magnétiques dépend à la fois du fini, de l'égalité et de l'épaisseur de l'acier de la surface de montage. En conséquence, pour faciliter un montage magnétique correct :**

- **La surface de montage et les aimants doivent être gardés propres, secs et exempts de corps étrangers qui pourraient empêcher un bon contact à la surface.**

- **La surface de montage doit être entièrement plate.**
- **Le système de montage magnétique ne doit pas être utilisé sur des véhicules dont le toit est en vinyle.**

1. Placez l'assemblage de feux sur le toit du véhicule, à un endroit permettant une visibilité de signalisation maximale pour votre application.

2. Pour les modèles à succion, purgez l'air emprisonné en appuyant sur le dessus du dôme et en appliquant une pression vers le bas tout en tirant les onglets de dégagement vers le haut. Voir la figure 4.

3. Pour utiliser l'assemblage de feux à montage magnétique, insérez la prise située à l'extrémité du câble dans l'allume cigare.

4. Pour enlever le modèle à succion; tirez l'onglet de dégagement vers le haut tout en prenant la barre de signalisation.

#### C. *Câblage.*

1. Installez une tête de commande ou un sélecteur fourni par l'utilisateur à un endroit permettant que le véhicule et toutes les commandes puissent être utilisés sans danger dans toutes les conditions de conduite. L'intensité admissible au niveau de l'interrupteur doit être d'au moins 15 ampères.

2. Acheminez les fils fournis par l'utilisateur, ou le kit de câble en option, à partir de la tête de commande ou du sélecteur jusqu'aux fils de l'assemblage de feux.

### **AVERTISSEMENT**

L'assemblage de feux ne fonctionnera pas correctement sans une bonne mise à la masse. Assurez-vous que le fil noir est attaché à une mise à la masse bien connue du véhicule.

3. Voir la figure 5 et sélectionnez le schéma de câblage approprié. Terminez l'opération de câblage, tel qu'il est illustré. ASSUREZ-vous d'utiliser des fusibles avec les caractéristiques nominales correctes (voir la figure 5). Le fusible doit être situé sur le fil positif, aussi près que possible de la source d'alimentation. Isolez toute connexion exposée avec du ruban pour connexions électriques ou avec des tubes thermorétractibles.

#### D. *Instructions sur la fonction particulière du Highlighter stroboscopique.*

La mini barre fonctionne normalement lorsque son fil rouge est connecté à la borne positive et que le fil noir est connecté à la terre ou branché pour les modèles à montage magnétique. Pour accéder à ces fonctions supplémentaires, lisez et effectuez ce qui suit :

##### 1. Fonction d'alimentation haut-bas.

Le feu comporte un mode automatique de basse puissance activé par défaut lors de l'expédition. Cette fonction réduit l'intensité des clignotements lors d'une utilisation de nuit ou dans d'autres conditions de faible éclairage. Lorsqu'elle est activée pendant la nuit, la barre fonctionne à son intensité maximale pendant approximativement dix (10) secondes, puis passe en mode de fonctionnement réduit.

Pour désactiver cette fonction, procédez comme suit :

a. Appareils à montage permanent.

Connectez le fil blanc et rouge avec le fil rouge à la source d'alimentation activée. Voir le schéma de câblage, figure 5.

b. Appareils à montage magnétique.

Enlevez le dôme. Repérez le fil blanc à ligne rouge. Dégagez-le en coupant l'attache de fil qui le maintient en place. Connectez ce fil à l'onglet illustré dans la figure 6. Remplacez le dôme.

2. Sélection de motif.

a. Appareils à montage permanent.

Pour modifier le motif de clignotement sur une barre de montage permanente, faites toucher quelques instants le fil blanc à ligne rouge avec le fil de masse. Chaque fois que ce fil est connecté à la masse le motif passe au suivant dans la série. Continuez de faire toucher ce fil à la masse jusqu'à ce que la barre fonctionne dans le motif souhaité. Laissez la barre clignoter pendant dix (10) secondes dans le motif voulu pour le sauvegarder en mémoire.

Coupez l'extrémité dénudée de ce fil et attachez-la en retrait si vous prévoyez changer encore de motif, ou coupez-le à égalité avec la base si le motif de clignotement choisi ne sera plus changé.

b. Appareils à montage magnétique.

Enlevez le dôme. Repérez le fil blanc à ligne rouge. Dégagez-le en coupant l'attache de fil qui le maintient en place. Connectez quelques instants ce connecteur à l'onglet de masse pour changer le motif de clignotement. Voir la figure 6. Chaque fois que ce fil est connecté à la masse le motif passe au suivant dans la série. Continuez à connecter ce fil à la masse jusqu'à ce que la barre fonctionne dans le motif souhaité. Laissez la barre clignoter pendant dix (10) secondes dans le motif voulu pour le sauvegarder en mémoire.

Si vous prévoyez changer de motif ultérieurement, placez de fil en retrait et fixez-le solidement avec une attache. Si le motif de clignotement ne sera plus changé, coupez-le fil à égalité avec l'arrière du connecteur d'alimentation électrique.

#### IV. ENTRETIEN.

A. *Nettoyage du dôme en plastique.*



**Le craquellement du dôme réduit l'efficacité du système de feux. N'utilisez pas d'agents de nettoyage (qui peuvent causer un craquellement) comme des détergents forts, des solvants ou des produits dérivés du pétrole. Si le dôme est craquelé, la fiabilité du feu pour des fins d'avertissement d'urgence peut être réduite jusqu'à ce que le dôme soit remplacé.**

Pour le nettoyage courant du dôme en plastique, utilisez un savon et un chiffon doux. Si de fines craquelures ou un voile apparaissent sur le dôme, ils pourront

le plus souvent être enlevés avec une pâte ou une cire pour voiture de bonne qualité appliquée avec un chiffon doux.

B. *Nettoyage des réflecteurs et des miroirs.*

 **ATTENTION**

**Des réflecteurs ou des miroirs égratignés ou ternis réduisent l'efficacité du système de feux. Évitez d'exercer une forte pression et d'utiliser solvants caustiques ou à base de pétrole lors du nettoyage. Si des réflecteurs ou des miroirs sont égratignés ou ternis, la fiabilité des feux en cas d'avertissement d'urgence pourrait être réduite tant que les réflecteurs ou les miroirs ne sont pas remplacés.**

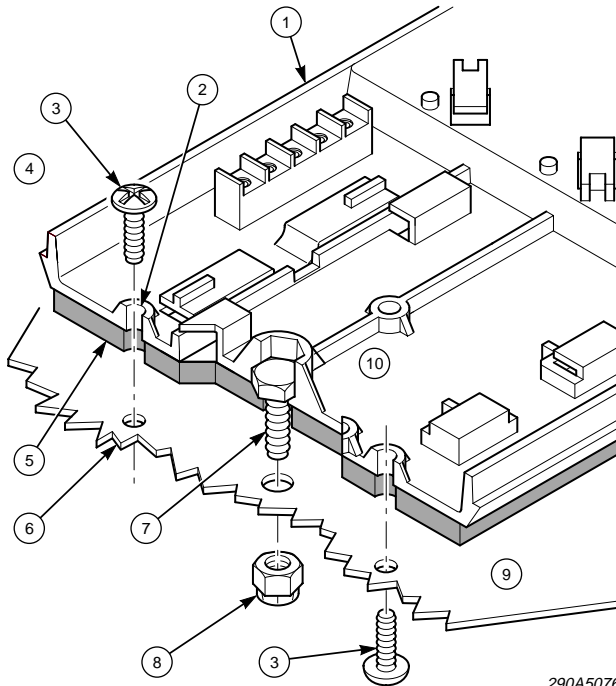
Utilisez un linge doux pour nettoyer les réflecteurs et les miroirs.

C. *Remplacement du tube stroboscopique.*

 **ATTENTION**

**La haute tension produite par l'alimentation électrique du feu d'avertissement peut endommager le matériel et entraîner des blessures graves, voire mortelles pour vous ou pour les autres. Assurez-vous que l'alimentation du feu d'avertissement est hors tension et attendez au moins dix minutes avant d'y travailler.**

1. Enlevez le dôme, tel que décrit au paragraphe III.A.1.a.
2. Enlevez le dôme de Fresnel interne recouvrant le tube à remplacer. Saisissez le dôme en appliquant une pression vers le haut tout en courbant vers l'arrière les onglets de retenue pour le dégager. Voir la figure 7.
3. Débranchez le connecteur à trois broches de la prise d'alimentation.
4. Poussez le tube stroboscopique vers le bas et vers l'extérieur par l'ouverture dans le support.
5. Placez le nouveau tube dans le support en poussant le tube vers le haut à partir du bas côté du support.
6. Branchez le connecteur à trois broches dans la prise d'alimentation.
7. Remettez le dôme en place et vérifiez si l'appareil fonctionne correctement.



290A5076

**LEGEND**

- 1. BASE
- 2. DRILL (4) HOLES IN BASE TO 17/64"
- 3. SCREWS SELF TAPPING (4)
- 4. TOP MOUNTING
- 5. FOAM PAD
- 6. MOUNTING SURFACE
- 7. 5/16-18 HEX MTG. BOLT (2)
- 8. 5/16-18 HEX LOCKNUT (2)
- 9. BOTTOM MOUNTING
- 10. CENTER MOUNTING

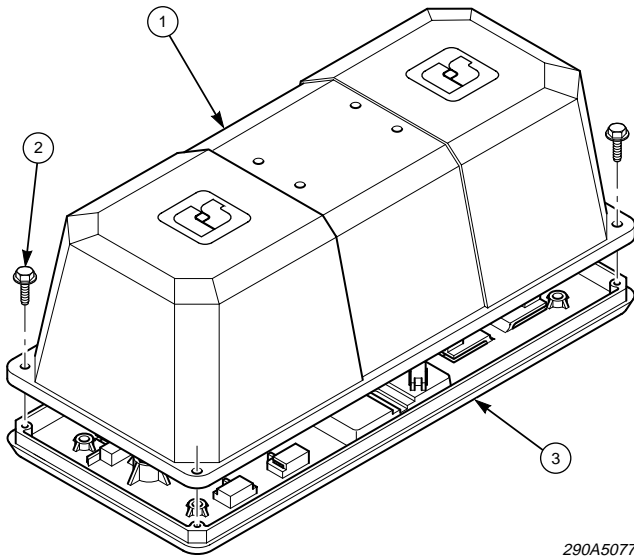
**LÉGENDE**

- 1. BASE
- 2. PERCER (4) TROUS DANS LA PLAQUE D'APPUI À 17/64 PO
- 3. VIS AUTOTARAUDEUSES (4)
- 4. MONTAGE PAR LE HAUT
- 5. TAMPON EN MOUSSE
- 6. SURFACE DE MONTAGE
- 7. BOULON DE MONTAGE HEXAGONAL 5/16-18 (2)
- 8. CONTRE-ÉCROU HEXAGONAL 5/16-18 (2)
- 9. MONTAGE PAR LE BAS
- 10. MONTAGE PAR LE CENTRE

**LEYENDA**

- 1. BASE
- 2. PERFORE (4) ORIFICIOS EN LA BASE A 17/64"
- 3. TORNILLOS AUTORROSCANTES (4)
- 4. MONTAJE SUPERIOR
- 5. ALMOHADILLA DE MATERIAL ALVEOLAR
- 6. SUPERFICIE DE MONTAJE
- 7. PERNO DE MONTAJE HEXAGONAL DE 5/16-18 (2)
- 8. PERNO HEXAGONAL DE 5/16-18 (2)
- 9. MONTAJE INFERIOR
- 10. MONTAJE CENTRAL

Figure 1. / Figura 1. / Figure 1.



290A5077

**LEGEND**

1. DOME
2. #10 X 1/2" HI-LO HEX WSH. HEAD SCREWS (4)
3. BASEPLATE ASSEMBLY

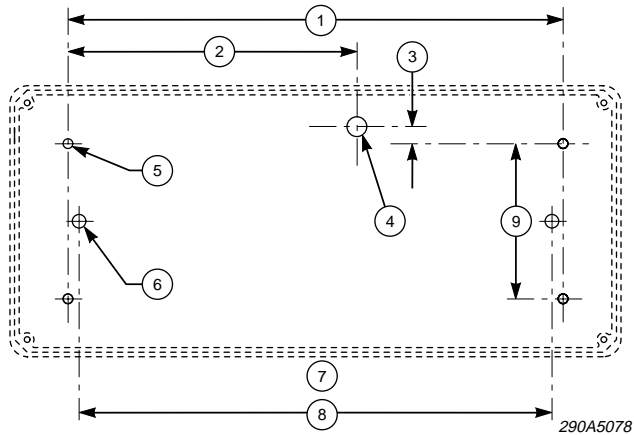
**LEYENDA**

1. DOMO
2. TORNILLOS DE CABEZA DE ARANDELA HEXAGONAL HI-LO DE #10 X 1/2" (4)
3. CONJUNTO DE PLACA DE BASE

**LÉGENDE**

1. DÔME
2. VIS À TÊTE HEXAGONALE ET RONDELLE HI-LO N° 10 X 1/2 PO (4)
3. ASSEMBLAGE DE PLAQUE D'APPUI

Figure 2. / Figura 2. / Figure 2.



290A5078

**LEGEND**

1. 12-3/4"
2. 4-1/8"
3. 13/16"
4. 1/2" DIA. WIRE EXIT HOLE
5. DRILL 13/64" DIA. HOLES (4) FOR TOP MTG. OR DRILL 9/32" DIA. HOLES (4) FOR BOTTOM MTG.
6. DRILL 3/8" DIA HOLES (2) FOR CENTER MTG. ONLY
7. FRONT
8. 12"
9. 4"

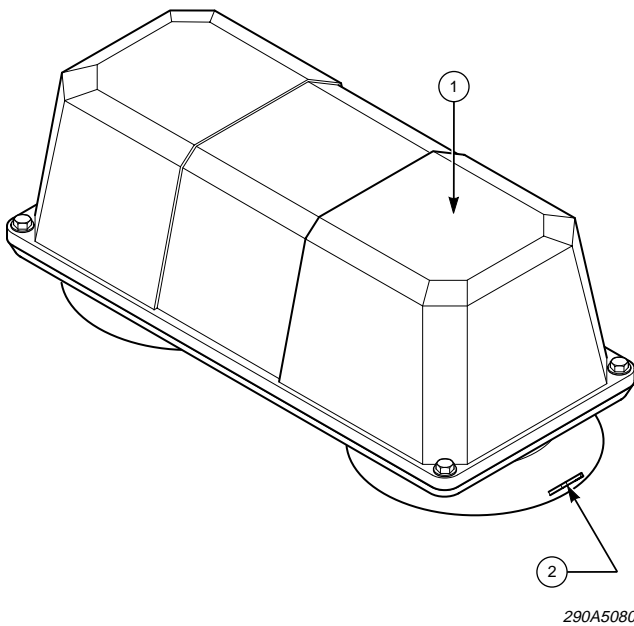
**LEYENDA**

1. 12-3/4"
2. 4-1/8"
3. 13/16"
4. ORIFICIO DE SALIDA DEL CABLE DE 1/2" DE DIAMETRO
5. PERFORE (4) ORIFICIOS DE 13/64" DE DIAMETRO PARA MONTAJE SUPERIOR O PERFORE (4) ORIFICIOS DE 9/32" DE DIAMETRO PARA MONTAJE INFERIOR.
6. PERFORE (2) ORIFICIOS DE 3/8" DE DIAMETRO PARA MONTAJE CENTRAL SOLAMENTE
7. PARTE FRONTAL
8. 12"
9. 4"

**LÉGENDE**

1. 12-3/4 PO
2. 4-1/8 PO
3. 13/16 PO
4. TROU DE SORTIE DE 1/2 PO DIAM.
5. PERCER (4) TROUS DE 13/64 PO DE DIAM. POUR UN MONTAGE PAR LE HAUT OU PERCER (4) TROUS DE 9/32 PO DE DIAM. POUR UN MONTAGE PAR LE BAS.
6. PERCER (2) TROUS DE 3/8 PO DE DIAM. POUR UN MONTAGE PAR LE CENTRE SEULEMENT
7. AVANT
8. 12 PO
9. 4 PO

Figure 3. / Figura 3. / Figure 3.



**LEGEND**

1. APPLY LIGHT PRESSURE HERE
2. PULL UP ON TAB TO RELEASE TRAPPED AIR

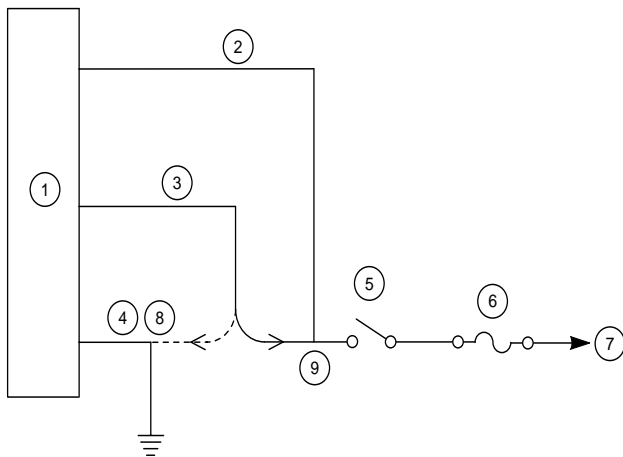
**LEYENDA**

1. EJERZA PRESION LIGERA AQUI
2. TIRE HACIA ARRIBA EN LA LENGÜETA PARA LIBERAR EL AIRE ATRAPADO

**LÉGENDE**

1. APPLIQUER UNE LÉGÈRE PRESSION ICI
2. TIRER L'ONGLET VERS LE HAUT POUR PURGER L'AIR EMPRISONNÉ

Figure 4. / Figura 4. / Figure 4.



290A5079

#### LEGEND

1. LIGHTBAR
2. RED
3. WHITE/RED
4. BLACK
5. SWITCH (INSTALLER-SUPPLIED)
6. 7.5 AMP FUSE (INSTALLER-SUPPLIED)
7. +12V
8. MOMENTARILY CONNECT WHITE/RED WIRE TO GROUND TO SWITCH THE FLASH PATTERN.
9. CONNECT THE WHITE/RED WIRE TO +12V TO OVERRIDE THE LOW POWER FEATURE

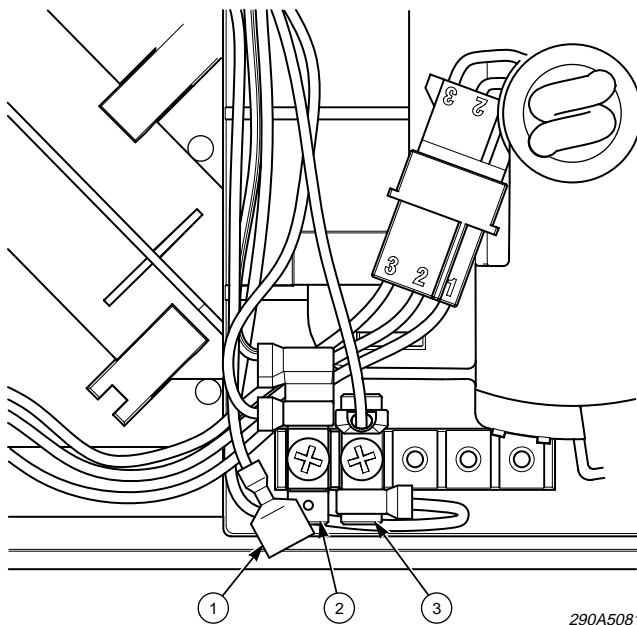
#### LEYENDA

1. BARRA DE ILUMINACIÓN
2. ROJO
3. BLANCO/ROJO
4. NEGRO
5. INTERRUPTOR (SUMINISTRADO POR EL USUARIO)
6. FUSIBLE DE 7.5 AMPERIOS (SUMINISTRADO POR EL USUARIO)
7. +12V
8. ACOPLE DE MANERA MOMENTÁNEA EL ALAMBRE BLANCO/ROJO A TIERRA PARA CAMBIAR EL PATRÓN DE ILUMINACIÓN.
9. ACOPLE EL ALAMBRE BLANCO/ROJO A +12V PARA ANULAR LA FUNCIÓN DE POTENCIA BAJA

#### LÉGENDE

1. BARRE DE SIGNALISATION
2. ROUGE
3. BLANC/ROUGE
4. NOIR
5. INTERRUPTEUR (FOURNI PAR L'INSTALLATEUR)
6. FUSIBLE DE 7,5 AMP (FOURNI PAR L'INSTALLATEUR)
7. +12V
8. CONNECTER QUELQUES INSTANTS LE FIL BLANC/ROUGE À LA TERRE POUR CHANGER LE MOTIF DE CLIGNOTEMENT.
9. CONNECTER LE FIL BLANC/ROUGE AU +12 V POUR SURPASSER LA FONCTION DE FAIBLE PUISSANCE

Figure 5. / Figura 5. / Figure 5.



**LEGEND**

1. FUNCTION WIRE: WHITE WITH RED TRACER
2. CONNECT HERE TO DISABLE HI-LOW FEATURE
3. MOMENTARILY CONNECT HERE TO CHANGE PATTERNS

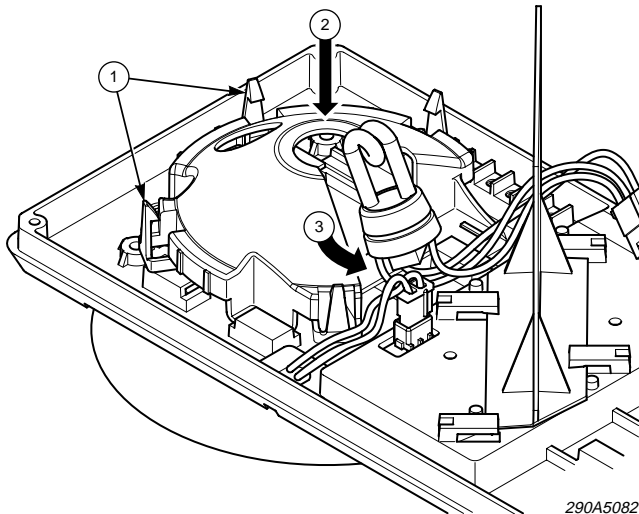
**LEYENDA**

1. ALAMBRE DE FUNCIÓN: BLANCO CON INDICADOR ROJO
2. ACOPLA AQUÍ PARA INHABILITAR FUNCIÓN ALTA-BAJA
3. ACOPLA AQUÍ DE MANERA MOMENTÁNEA PARA CAMBIAR PATRONES

**LÉGENDE**

1. FIL DE FONCTION : BLANC AVEC LIGNE ROUGE
2. CONNECTER ICI POUR DÉSACTIVER LA FONCTION HAUT-BAS
3. CONNECTER QUELQUES INSTANTS ICI POUR CHANGER DE MOTIF

Figure 6. / Figura 6. / Figure 6.



290A5082

**LEGEND**

1. FLEX TABS TO RELEASE DOME
2. PUSH STROBE TUBE DOWN
3. SLIDE OUT THROUGH OPENING

**LEYENDA**

1. DOBLE LAS LENGÜETAS PARA LIBERAR EL DOMO
2. EMPUJE LA LUZ ESTROBOSCOPICA HACIA ABAJO
3. DESLICE HACIA FUERA A TRAVES DE LA ABERTURA

**LÉGENDE**

1. ONGLETS FLEXIBLES POUR DÉGAGER LE DÔME
2. POUSSER LE TUBE STROBOSCOPIQUE VERS LE BAS
3. FAIRE GLISSER VERS L'EXTÉRIEUR PAR L'OUVERTURE

Figure 7. / Figura 7. / Figure 7.

