

Lightly tap top-center of minibar with Magnet Card.

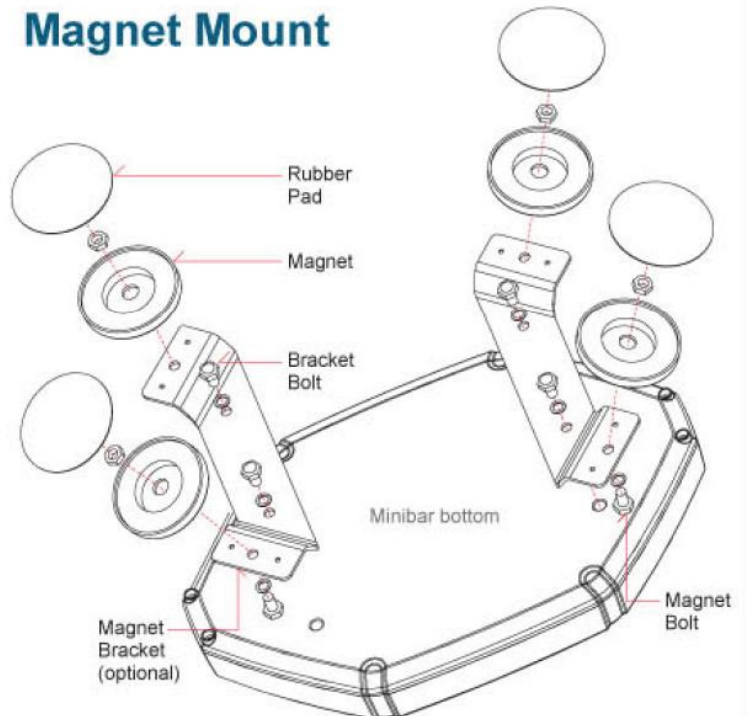
**WARNING:** Do not look directly into the LEDs while in operation. May cause momentary blindness and/or eye damage.

## FLASH PATTERNS

Momentarily apply Magnet Card to top-center of minibar for next pattern.

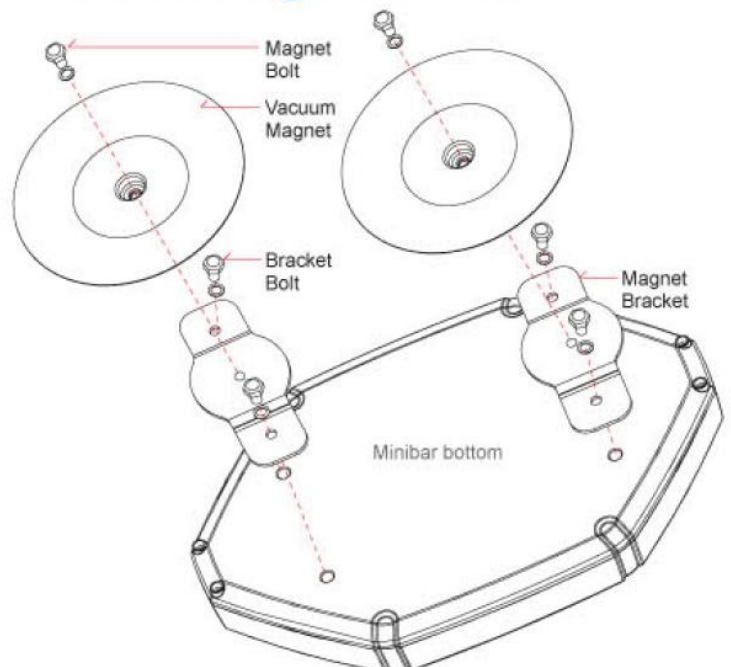
FP#	FLASH PATTERNS
0	Kit Scan (split)
1	Outside-In Single
2	Outside-In Ultra
3	Side-by-Side Single
4	Side-by-Side Ultra
5	Random
6	Single (split)
7	Double (split)
8	Quad (split)
9	Quint (split)
10	Mega (split)
11	Ultra (split)
12	Single-Quad (split)
13	Single H/L (split)
14	Single (all)
15	Double (all)
16	Quad (all)
17	Quint (all)
18	Mega (all)
19	Ultra (all)
20	Single-Quad (all)
21	Single H/L (all)
22	Single Cross
23	Ultra Cross
24	Rotator1
25	Rotator2

## Magnet Mount



**NOTE:** Magnets can be secured directly to minibar without use of Brackets.

## Vacuum Magnet Mount



**Note:** This unit is not factory set at FP#0